

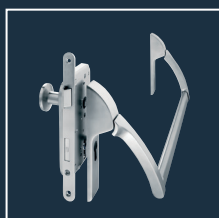
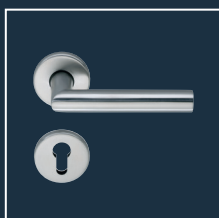
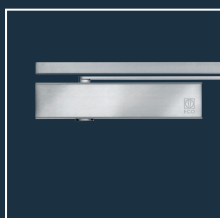


ECO Project hinge OBX-20-2541/120

Product information



■ SYSTEM TECHNOLOGY FOR THE DOOR



OBX-20-2541/120

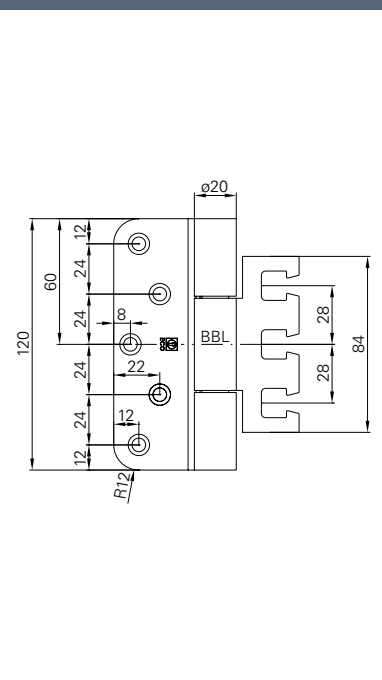


Product characteristics

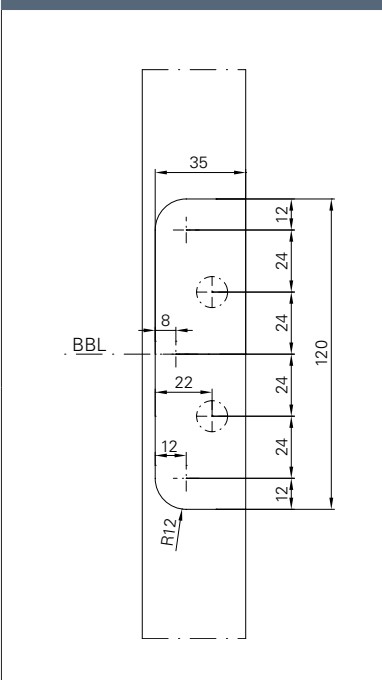
Size	120 mm	
Ø Barrel diameter	20 mm	
Material thickness	3,5 mm	
Screws	5 x 50 mm	
DIN left / DIN right	■	
Milling diameter	24 mm	
Milling length	120 mm	
Milling depth	3,5 mm	
Door types	Unrebrated	■
	Double rebated	-
Frame types	Wood	■
	Steel	■
	Aluminium	■
Suitable for fire doors	F	■
Loading capacity Class 14 (maximum door load)	EN 1935 CE	■
	Norm	160 kg
	ECO loading capacity	200 kg
Finishes	Stainless steel (ER)	■
	ER polished	□
	PVD coating (brass)	□
	PVD coating in RAL colours	□
Reception elements	For upright standing pillars	OBX-3001-3D
	For timber frames	OBX-3002-3D
	For steel frames	OBX-3011-3D
		OBX-3012-3D
	For aluminium frames	OBX-3021-3D

■ Yes - No □ On request

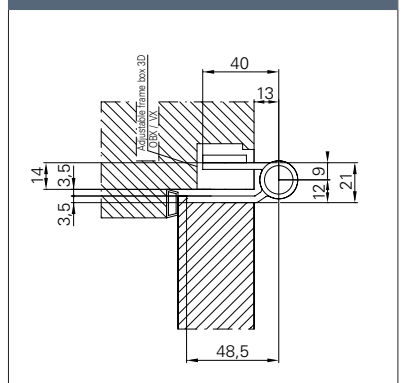
Dimension drawing



Milling drawing



Top view



PRODUCT FAMILY ■ MORTISE FLUSH DOOR 3D HINGE



OBX-20-2541/160.ER



OBX-20-2542/160.ER
OBX-20-2542/120.ER



Description

ECO project hinge OBX-20-2541/120

- For unrebated doors on wooden, steel or aluminium frames
- With OBX adjustable frame box adjustable in three dimensions
- Inner, firmly rotating axis
- Wear and maintenance-free ball bearing technology
- Suitable for fire doors
- Can be used DIN left and DIN right without modification



EN 1935



Wooden door

OBX-20-2541 mortise flush door 3D hinge	Dimensions	Article number
OBX-20-2541/120.ER	Ø 20 x 120 mm	459141.46

ECO Schulte GmbH & Co. KG
Iserlohner Landstraße 89
D - 58706 Menden

Telefon: +49 2373/9276-0
Fax: +49 2373/9276-40

info@eco-schulte.de
www.eco-schulte.de

© ECO Schulte GmbH & Co. KG - Änderungen vorbehalten
© ECO Schulte GmbH & Co. KG - Subject to change