

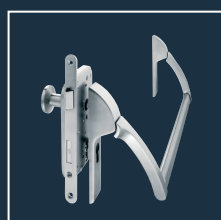
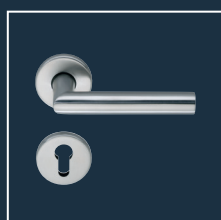


ECO Project hinge OBX-20-1532/160 FD

Product information



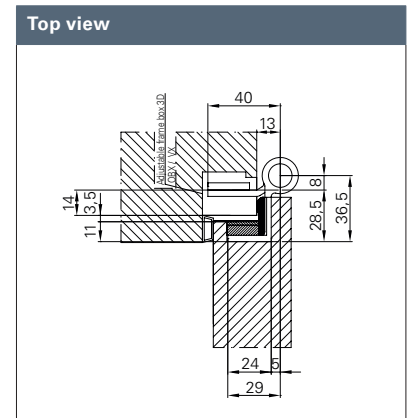
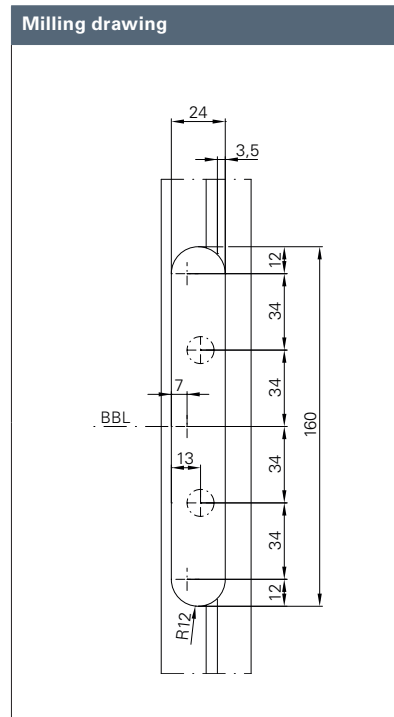
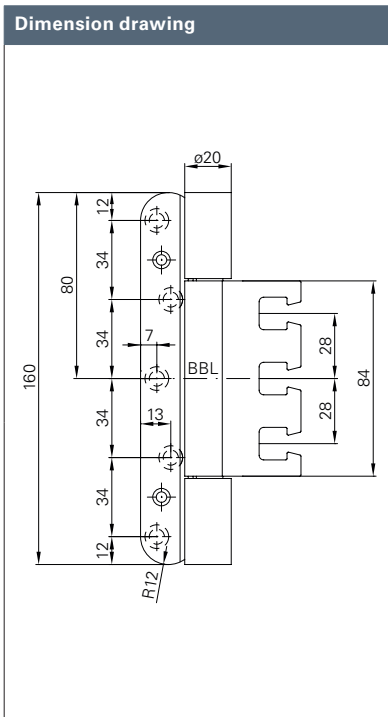
■ SYSTEM TECHNOLOGY FOR THE DOOR





Product characteristics		
Size		160 mm
Ø Barrel diameter		20 mm
Material thickness		3,5 mm
Screws		5 x 50 mm
DIN left / DIN right		■
Milling diameter		24 mm
Milling length		160 mm
Milling depth		11 mm
Door types	Rebated	■
	Flush with the adjacent areas	-
Frame types	Wood	■
	Steel	■
	Aluminium	■
Suitable for fire doors	F	■
Loading capacity Class 14 (maximum door load)	EN 1935 CE	■
	Norm	160 kg
	ECO loading capacity	300 kg
Finishes	Stainless steel (ER)	■
	ER polished	□
	PVD coating (brass)	□
	PVD coating in RAL colours	□
Reception elements	For upright standing pillars	OBX-3001-3D
	For timber frames	OBX-3002-3D
	For steel frames	OBX-3011-3D OBX-3012-3D
	For aluminium frames	OBX-3021-3D

■ Yes - No □ On request



PRODUCT FAMILY ■ MORTISE REBATED DOOR 3D HINGE



OBX-20-1531/160.ER
OBX-20-1531/120.ER



OBX-20-1532/120.ER



OBX-20-1951/160.ER
OBX-20-1951/120.ER



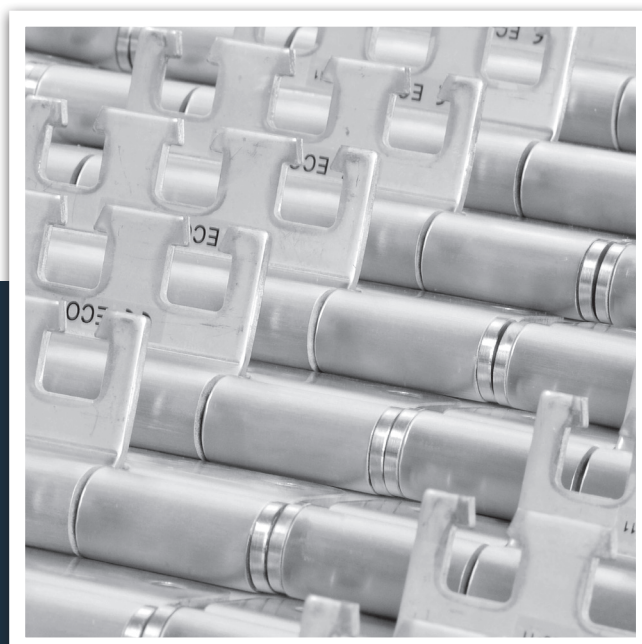
Description

ECO **project hinge OBX-20-1532/160 leaf gasket (FD)**

- For rebated doors on wooden, steel or aluminium frames
- With OBX adjustable frame box adjustable in three dimensions
- Inner, firmly rotating axis
- Wear and maintenance-free ball bearing technology
- Suitable for fire doors
- Can be used DIN left and DIN right without modification

F **EN 1935** **CE** **ER**  Wooden door

OBX-20-1532 Mortise rebated door 3D hinge leaf gasket	Dimensions	Article number
OBX-20-1532.FD/160.ER	Ø 20 x 160 mm	459232.46



ECO Schulte GmbH & Co. KG
Iserlohner Landstraße 89
D - 58706 Menden

Telefon: +49 2373/92 76 - 0
Fax: +49 2373/92 76 - 40

info@eco-schulte.de
www.eco-schulte.de

© ECO Schulte GmbH & Co. KG - Änderungen vorbehalten
© ECO Schulte GmbH & Co. KG - Subject to change